

EUROCAVE®  
**INSPIRATION M**  
 SINGLE ZONE WINE CELLAR



**BENEFITS**

- Combining stylishness with ease of use, the Inspiration range will fit perfectly into your kitchen.
- Grill-free invisible vents allow for seamless integration unlike any other wine cellar
- Inspiration offers you the choice between different shelf configurations, door types and compartment sizes. In addition, each model can be built-in or integrable.
- 2 shelf facing colors: light wood or glossy black.

**FEATURES**

<b>SHELVING</b>	Rolling
<b>INTERIOR LIGHTING</b>	Atmospheric LED
<b>CONTROLS</b>	Capacitive Touch
<b>TEMPERATURE DISPLAY</b>	Amber LED
<b>GLASS DOOR</b>	UV Tinted, Dual Pane
<b>REVERSIBLE DOOR</b>	Yes
<b>SECURITY LOCK</b>	Yes
<b>WARRANTY</b>	1-Year Parts & Labor 5-Years Sealed System
<b>CHARCOAL FILTER</b>	Yes
<b>LEVELING LEGS</b>	4

DOOR TRIM	HINGE	SHELF TRIM	MODEL
Full Glass Door	Right Hinge	Black Trim Shelves	286 18 01 5X
Full Glass Door	Left Hinge	Black Trim Shelves	286 18 01 6X
Full Glass Door	Right Hinge	Natural Oak Trim Shelves	286 18 02 5X
Full Glass Door	Left Hinge	Natural Oak Trim Shelves	286 18 02 6X
Stainless Steel	Right Hinge	Black Trim Shelves	286 18 01 9X
Stainless Steel	Left Hinge	Black Trim Shelves	286 18 01 10X
Stainless Steel	Right Hinge	Natural Oak Trim Shelves	286 18 02 9X
Stainless Steel	Left Hinge	Natural Oak Trim Shelves	286 18 02 10X

ACCESSORIES	MODEL
Charcoal Filters	249 47 41

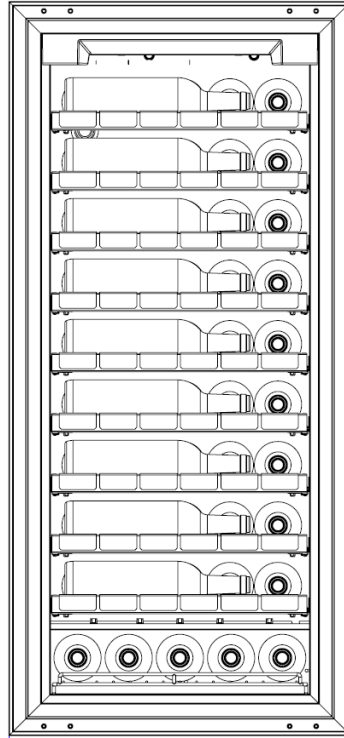
EUROCAVE®

# INSPIRATION M

## SINGLE ZONE WINE CELLAR



**STAINLESS STEEL**



**PREMIUM PACK STORAGE LAYOUT**

### GENERAL INFORMATION

<b>PREMIUM PACK BOTTLE CAPACITY*</b>	Maximum 59 Bottles
<b>USABLE VOLUME</b>	6.7 Cu. Ft.
<b>INSTALLATION TYPE</b>	Built-In / Flush Fitted
<b>VENTING</b>	Rear
<b>TEMPERATURE ZONES</b>	1
<b>TEMPERATURE RANGE</b>	41°F – 68°F
<b>DOOR STYLES</b>	Full Glass and Stainless Steel
<b>HANDLE</b>	Integrated Grip
<b>STORAGE RACKS – QUANTITY</b>	10
<b>STORAGE RACKS – TYPE</b>	9 Rolling Shelves + 1 Grid
<b>STORAGE RACKS – FRONT TRIM</b>	Natural Oak or Black
<b>SUGGESTED AMBIENT TEMPERATURE (F)</b>	54°F – 95°F

\*Maximum bottle capacity may vary depending on bottle size and shelf configuration.

### DIMENSIONS & WEIGHT

<b>WINE CELLAR DIMENSIONS</b>	52"H x 22"-23¼"W x 23½"D*
<b>MINIMUM DIMENSIONS OF BUILT-IN AREA</b>	52"-54¾"H x 23½"W x 22"-23½"D
<b>GROSS SHIPPING WEIGHT</b>	Approximately 232 lbs.
<b>NET WEIGHT</b>	Approximately 199 lbs.

\*Handle adds 2" to depth.

### ELECTRICAL

<b>ELECTRICAL REQUIREMENTS</b>	110V – 120V / 60HZ
<b>RATED POWER INPUT</b>	100 Watts
<b>RATED CURRENT</b>	1.25 Amps
<b>REFRIGERANT</b>	R600A, 0.95 oz.
<b>ENERGY CONSUMPTION</b>	292 kwh/year
<b>BREAKER SIZE</b>	15 Amp Line
<b>DECIBEL RATING</b>	38 dB(A)

Multiple Unit Note: If there is more than one cellar on a line, a 20 Amp circuit is required

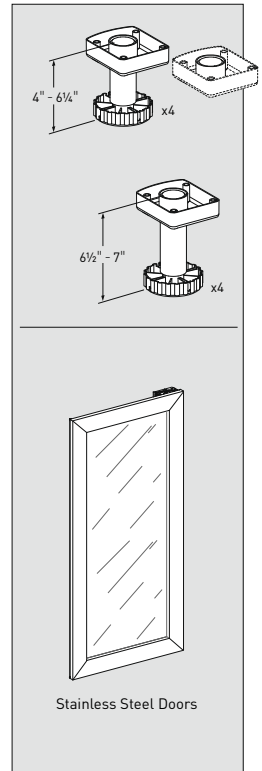
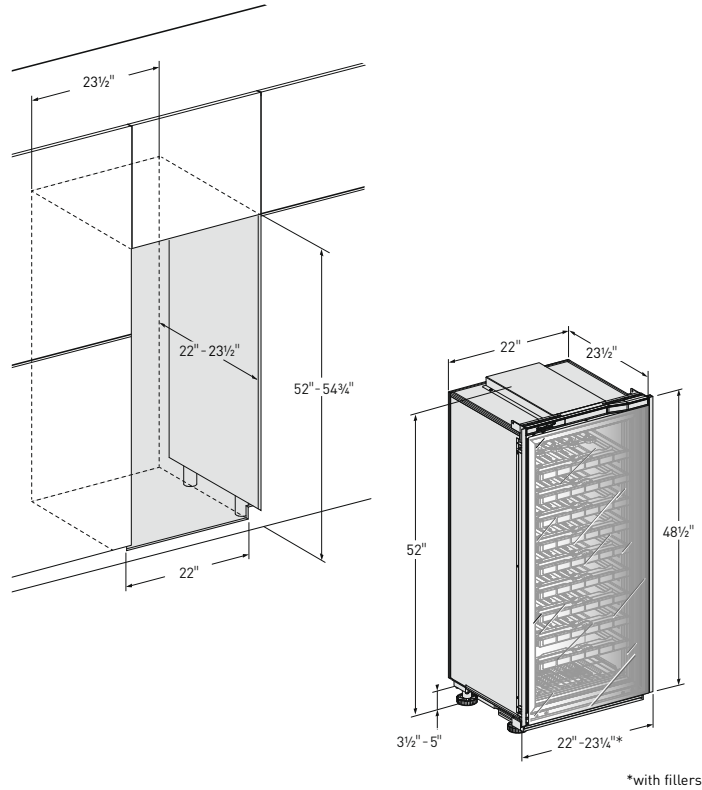
EUROCAVE<sup>®</sup>  
**INSPIRATION M**  
 SINGLE ZONE WINE CELLAR

EUROCAVE INSPIRATION M • WINE CABINET INSTALLATIONS AND FLUSH FITTING DIAGRAMS

**BUILT-IN  
 VERSION**

**INSTALLATION AS  
 A BUILT-IN CELLAR**

These cut out dimensions show the minimum space required for your wine cellar to perform as designed.



**FLUSH-FITTED  
 VERSION**

**INSTALLATION AS A  
 FLUSH-FITTING CELLAR**

These cut out dimensions show the minimum space required for your wine cellar to perform as designed.

